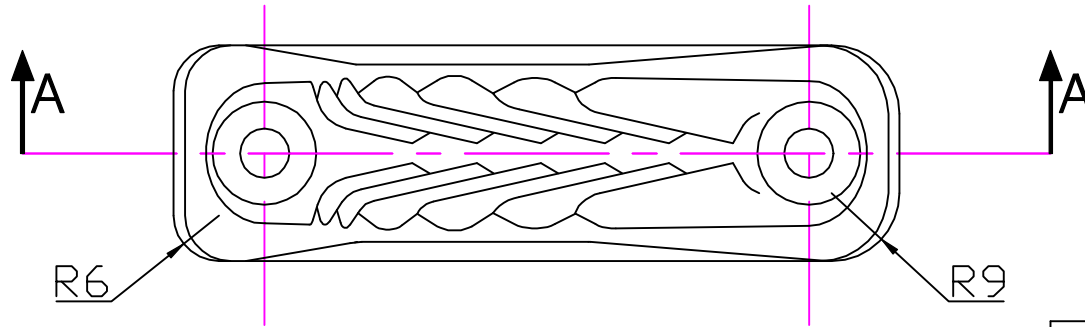
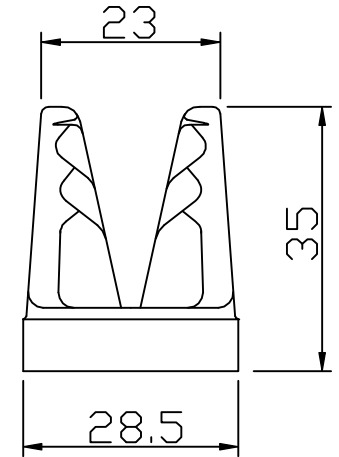
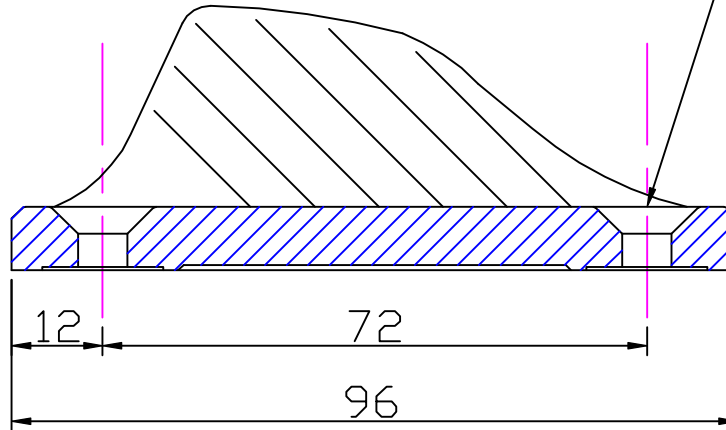
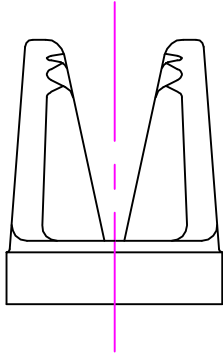


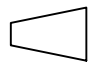

~~M6~~    M6    6.3mm    Ø6 -12mm  
~~1/4"~~    1/4"    No.14    1/4" - 1/2"

Section 'AA'

2 Holes  $\phi 6.5$   
countersunk  $\phi 13.7 \times 90^\circ$



**Clamcleat®**  
 Rope cleats  
 Clamcleats Limited  
 Watchmead  
 Welwyn Garden City  
 Hertfordshire AL7 1AP  
 England  
 Telephone +44 (0)1707 330101  
 Fax +44 (0)1707 321269  
<http://www.clamcleat-rope-cleats.com>



 Scale 1:1  
 All dimensions in mm.

Issue: 2.	Oct 1998
ID201.dwg	
Material:	Nylon
Installation Drawing for:-	
<b>CL201</b>	
Vertical	